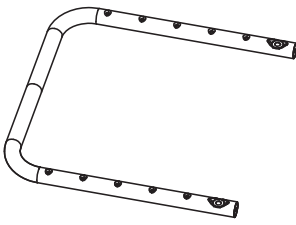
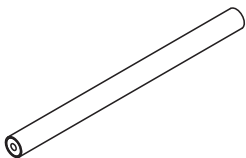
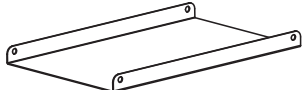

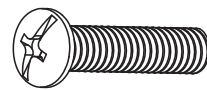
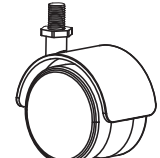
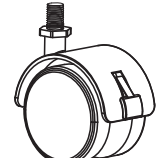
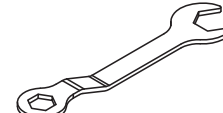
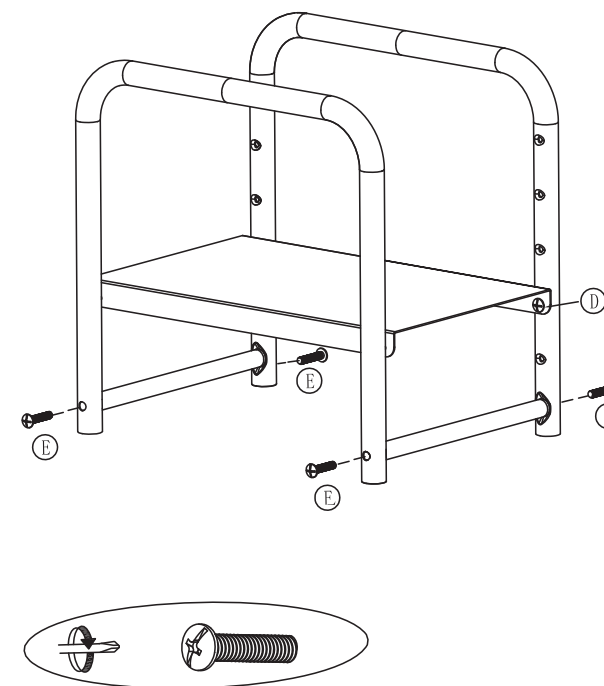


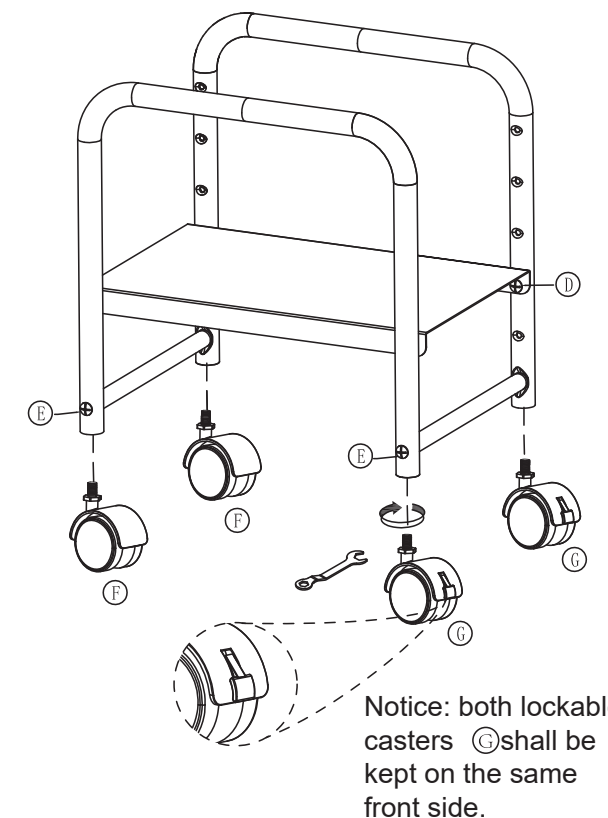
PARTS LIST

A	B	C	D
 2PCS	 2PCS	 1PCS	 4PCS
E	F	G	H
 4PCS	 2PCS	 2PCS	 1PCS

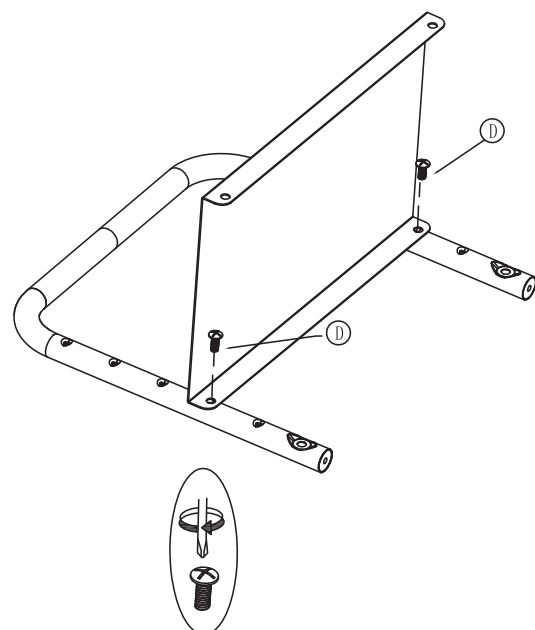
STEP 3



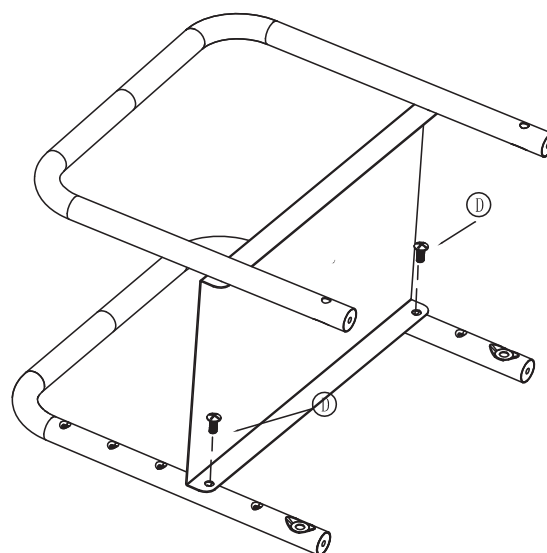
STEP 4



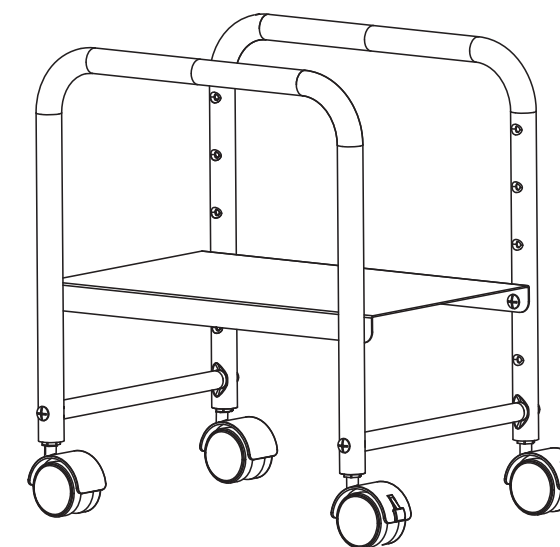
STEP 1



STEP 2



STEP 5



844 416 2090



www.eurekaergonomic.com



customerservice@eurekaergonomic.com